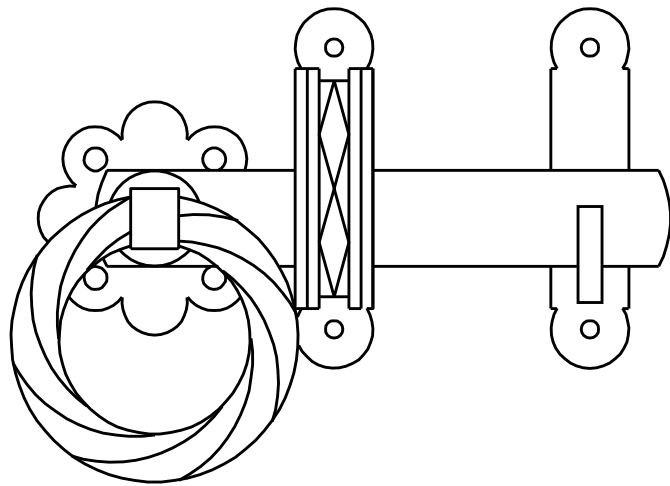
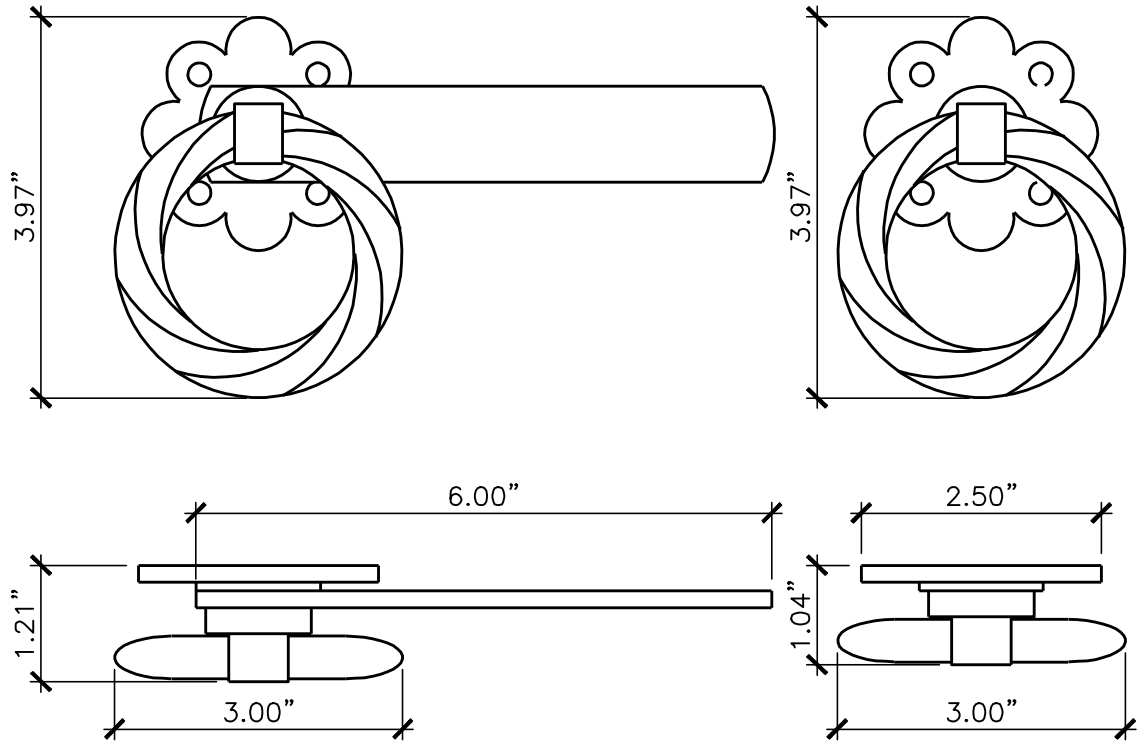


TOP ASSEMBLED



FRONT ASSEMBLED



	<p>PRODUCT DESCRIPTION: TWISTED RING GATE LATCH FLUSH MOUNTED ALL DIMENSIONS $\pm 0.125"$</p>	<p>PART NUMBER: 4149- L6SP/LESP/062</p>
--	--	---