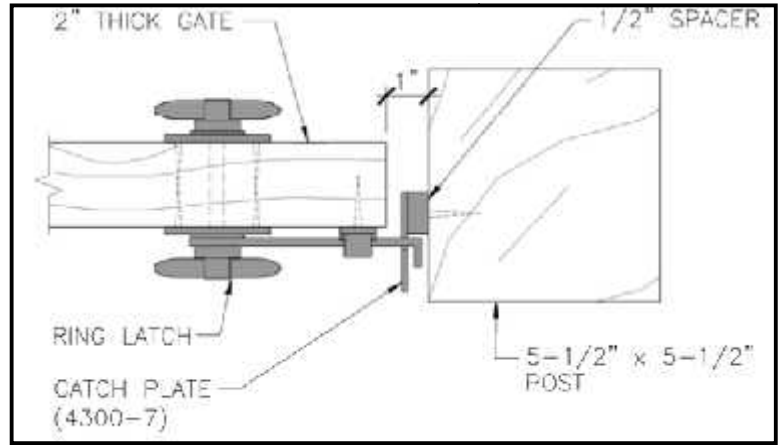


Twisted Ring Gate Latch for Wood Gates Set Back Design - Jamb Mounting Instructions Item # 4152-L6SP & 4152-LESP



Specifications: Jamb Mount/Set Back Mount
(This version of the Twisted Ring gate Latch is designed for use where the gate will set back from the face of the posts – not flush)

Space Required: A minimum 1" space is required between the gate and the post. An approximate area of 5.5" wide x 4" tall is required for the latch to be mounted on.

Gate Thickness: The latch comes standard for use with gates up to 5" thick. The key stock can be cut to accommodate thinner gates and if a larger key stock is required, we offer a 12" length for sale.

Installation Instructions:

1. Place the latch bar and retainer on the gate in the desired location. Keep in mind the spacing you have allowed for between the gate and the latch post as this will have a direct impact on the latches horizontal alignment on the gate.
2. Once you have it in the desired location, mark the 4 screw holes in the rosette with a pencil. Move the latch and draw two lines to make an "X" between the pencil marks you just made.
3. Drill a 3/4" hole through the gate at the center of the "X" to allow for the key stock to pass through and make the gate operational from both sides. Be sure to place a scrap piece of lumber on the back side of the gate while drilling to minimize tear out on the back side.
4. Clean up the edges of the 3/4" hole with a file or utility knife to ensure there are no frayed edges to prevent free rotation of the ring latch parts.
5. Put the latch bar and retainer back on the gate, centered over the 3/4" hole and install the rosette using 4 of the #8 x 1" wood screws.
6. Lift the latch bar to the desired level and install the retainer with 2 of the #8 x 1.5" wood screws.
7. Cut the key stock to a length 7/8" longer than the overall thickness of the gate it will pass through the gate and be placed in the square hole into the back of the latch bar rosette.
8. Place the single rosette over the key stock on the back side of the gate and install with 4 of the #8 x 1" screws provided. Be sure in this step to center the rosette over the hole to ensure free rotation of all parts and prevent binding. Test that it rises and lowers freely at this point.
9. Once you have the latch installed on the gate you can place the gate in the closed position inside the opening and mark the placement of the latch catch (striker) on the latch post. Once you have determined the desired location, install the catch (striker) on the post using the supplied 1/2" spacer block to space it out from the post.

We recommend the use of a stop block behind the gate to catch the gate before stressing the latch, especially in situations where a spring or cannonball closer are used or in areas of high wind. Close the gate with the horizontal bar on the latch just touching the catch on the fence post. With the gate in this position install the stop block on latch post. Ensure the front of the stop block fits snug against the gate in this closed position.

Failure to install a stop block voids warranty.

Snug Cottage Imports LLC. USA & Canada