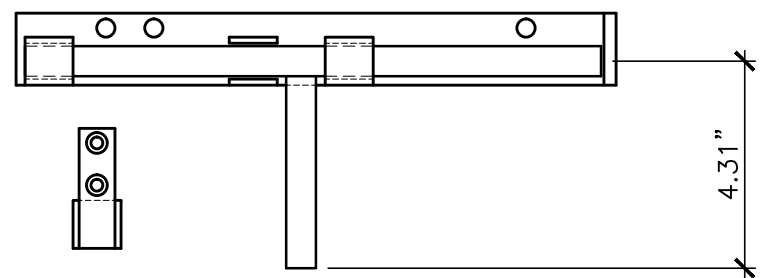
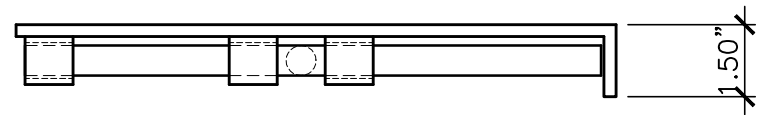


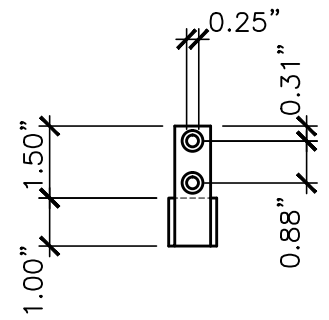
FRONT — SLIDE BOLT EXTENDED



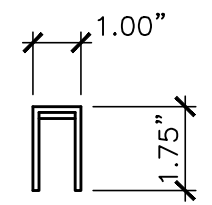
FRONT — SLIDE BOLT PULLED IN



SIDE VIEW — SLIDE BOLT PULLED IN



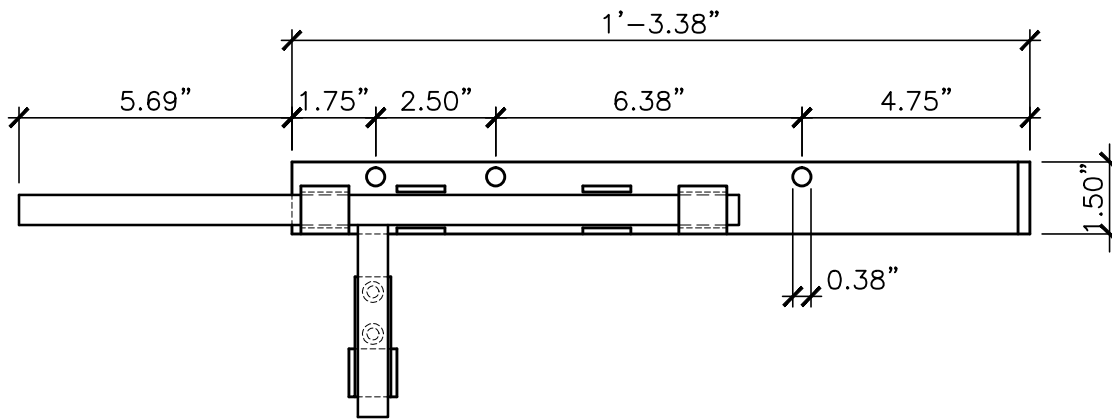
FRONT VIEW LATCH



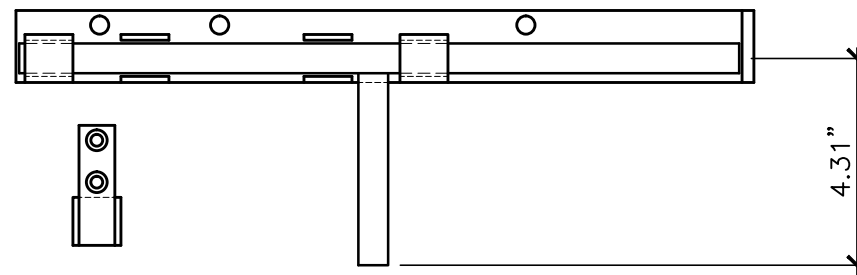
SIDE VIEW LATCH

NOTE:
PAIR WITH ITEM #5000-002/00SP
TO USE AS A GATE LATCH

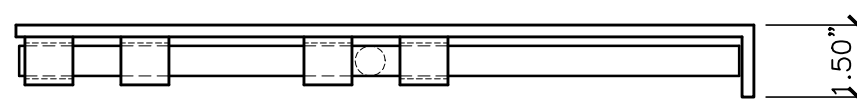
	<p>PRODUCT DESCRIPTION: 12" SLIDE BOLT GATE LATCH / CANE BOLT WITH LATCH</p> <p>ALL DIMENSIONS ±0.125+</p>	<p>PART NUMBER: 5000-122/12SP</p>
--	--	---------------------------------------



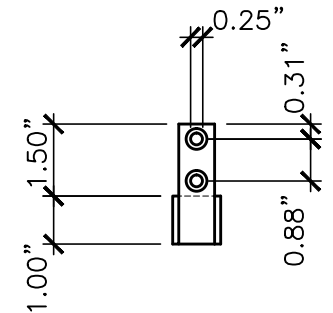
FRONT — SLIDE BOLT EXTENDED



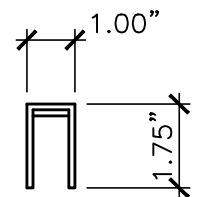
FRONT — SLIDE BOLT PULLED IN



SIDE VIEW — SLIDE BOLT PULLED IN



FRONT VIEW LATCH



SIDE VIEW LATCH

NOTE:

PAIR WITH ITEM #5000-002/00SP
TO USE AS A GATE LATCH

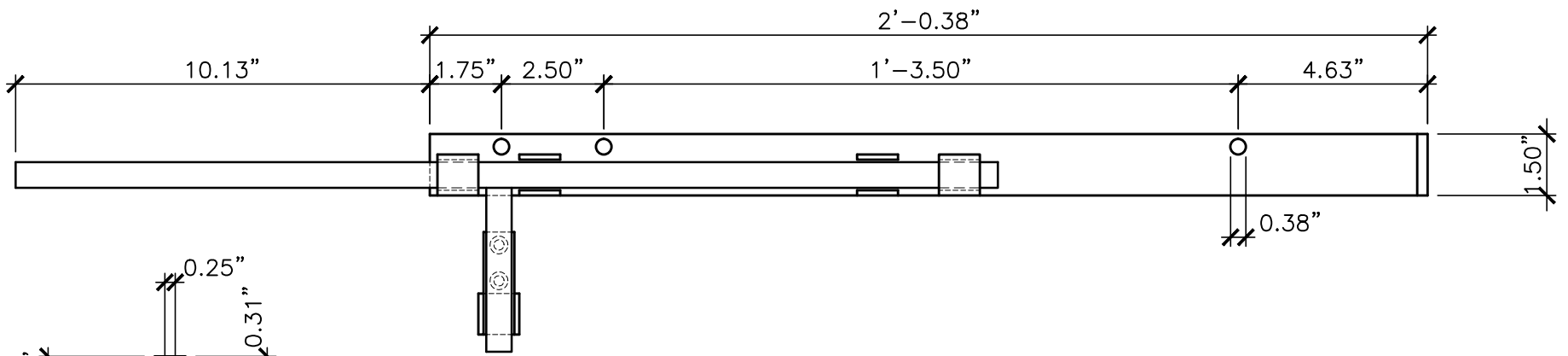
PRODUCT DESCRIPTION:

15" SLIDE BOLT GATE LATCH / CANE BOLT WITH LATCH

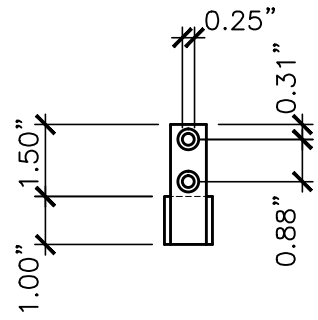
ALL DIMENSIONS ±0.125+

PART NUMBER:

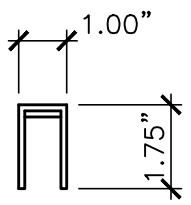
5000-152/15SP



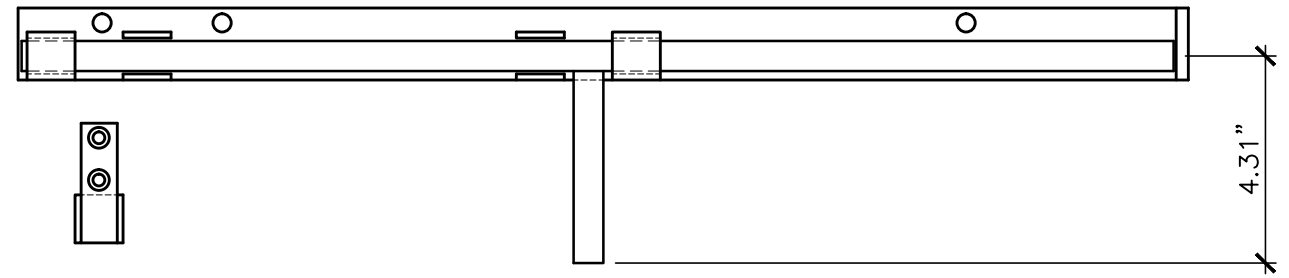
FRONT - SLIDE BOLT EXTENDED



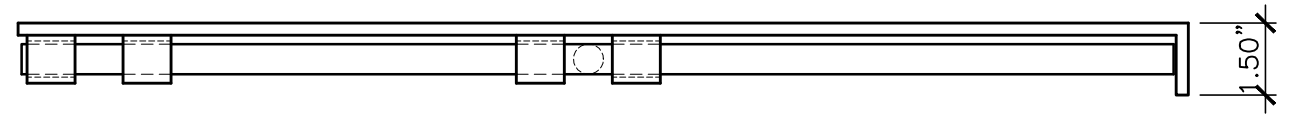
FRONT VIEW LATCH



SIDE VIEW LATCH



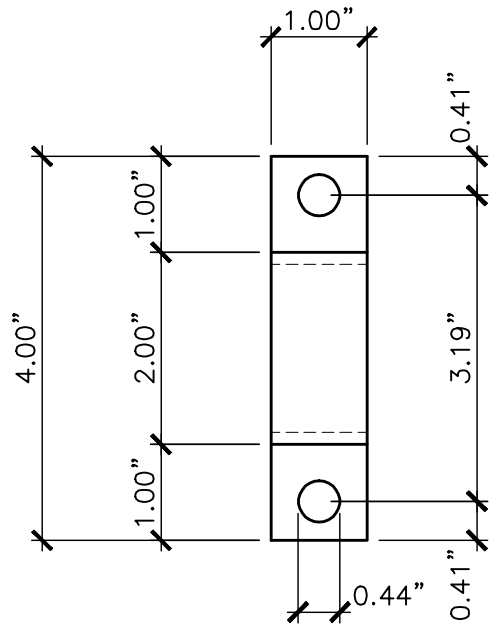
FRONT - SLIDE BOLT PULLED IN



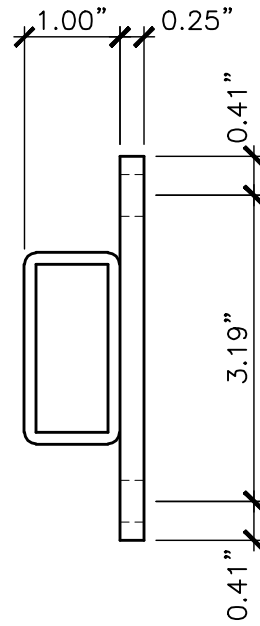
SIDE VIEW - SLIDE BOLT PULLED IN

NOTE:
 PAIR WITH ITEM #5000-002/00SP
 TO USE AS A GATE LATCH

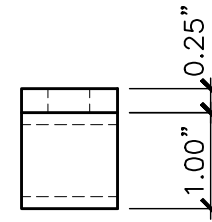
	PRODUCT DESCRIPTION: 24" SLIDE BOLT GATE LATCH / CANE BOLT WITH LATCH ALL DIMENSIONS ±0.125+	PART NUMBER: 5000-242/24SP
--	--	-------------------------------



FRONT



SIDE



TOP

	<p>PRODUCT DESCRIPTION: SLIDE BOLT GATE LATCH KEEP ALL DIMENSIONS $\pm 0.125"$</p>	<p>PART NUMBER: 5000-002/00SP</p>
--	---	--