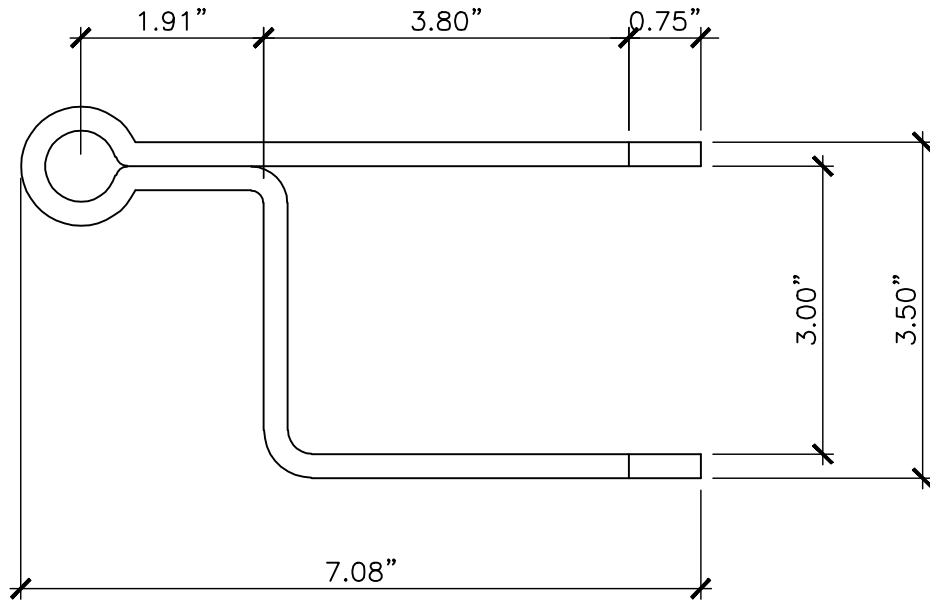
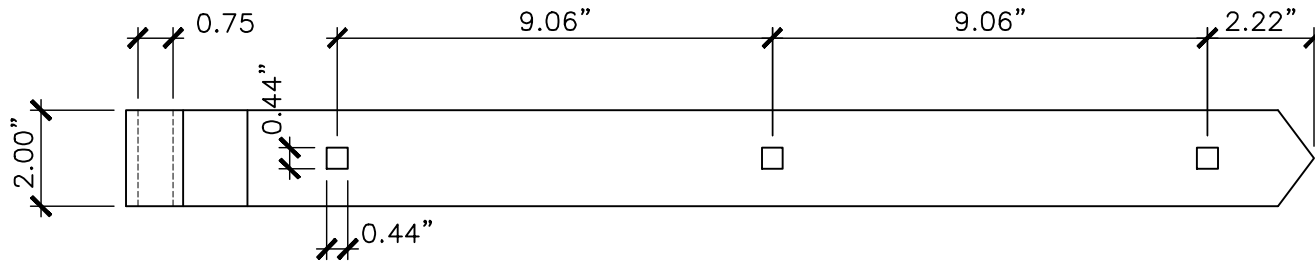


SIDE

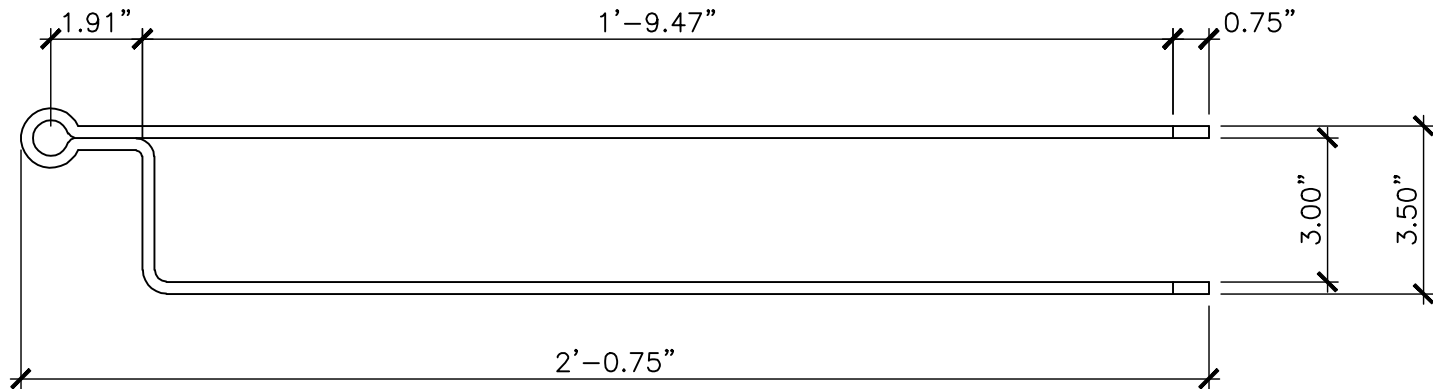


TOP

<p>PROPERTY OF: SNUG COTTAGE HARDWARE LLC MARYSVILLE MI. 48040</p>	<p>PRODUCT DESCRIPTION: 5" STRAIGHT EYE DOUBLE STRAP HINGE - 3" BETWEEN STRAPS ALL DIMENSIONS $\pm 0.125"$</p>	<p>PART NUMBER: 8322-052/05SP</p>
--	---	--



SIDE



TOP

<p>PROPERTY OF: SNUG COTTAGE HARDWARE LLC MARYSVILLE MI. 48040</p>	<p>PRODUCT DESCRIPTION: 24" STRAIGHT EYE DOUBLE STRAP HINGE ALL DIMENSIONS $\pm 0.125"$</p>	<p>PART NUMBER: 8322-242/24SP</p>
--	--	--