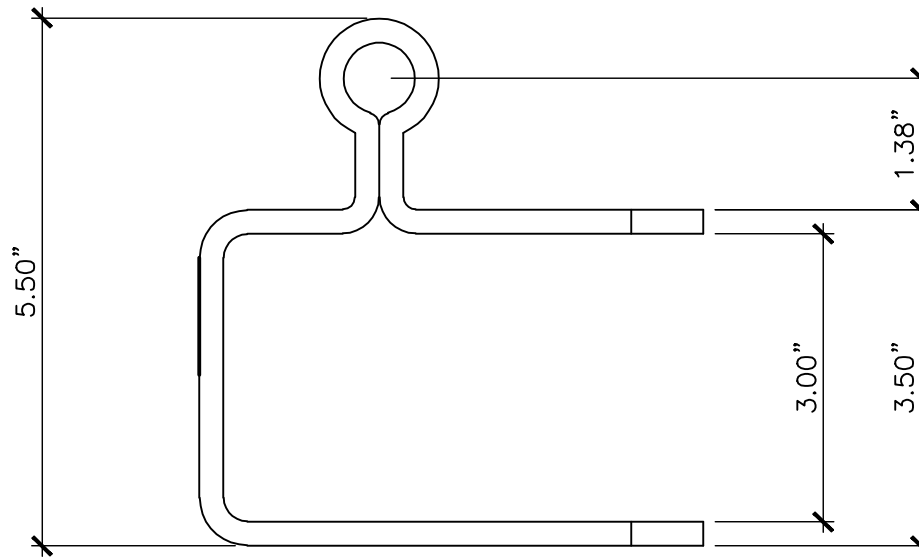
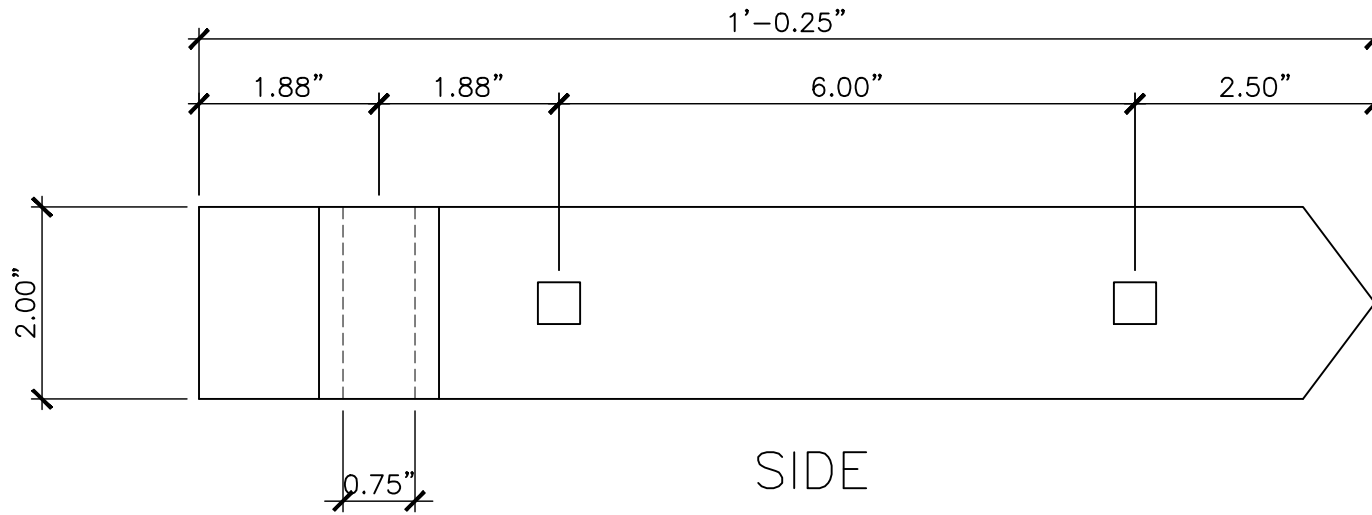


SIDE

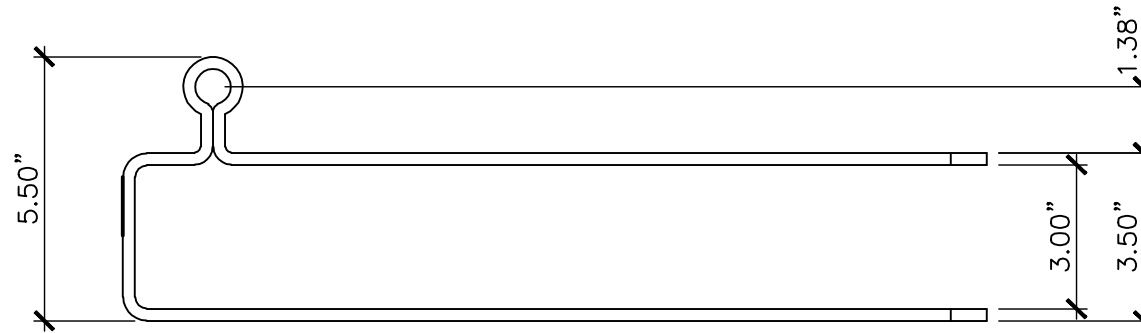
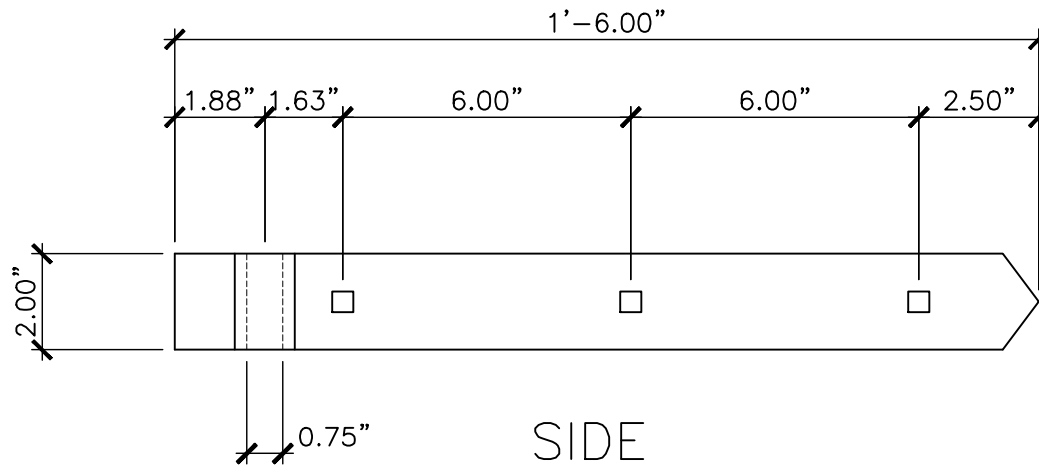


TOP

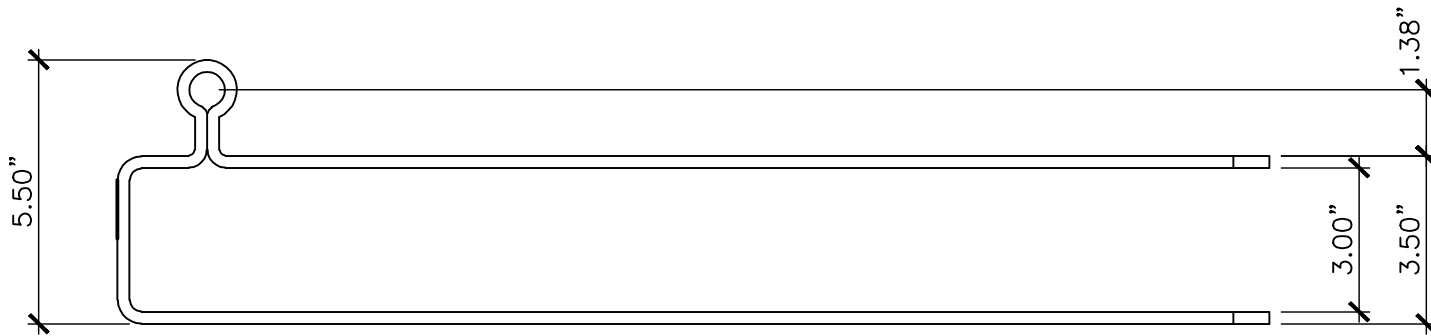
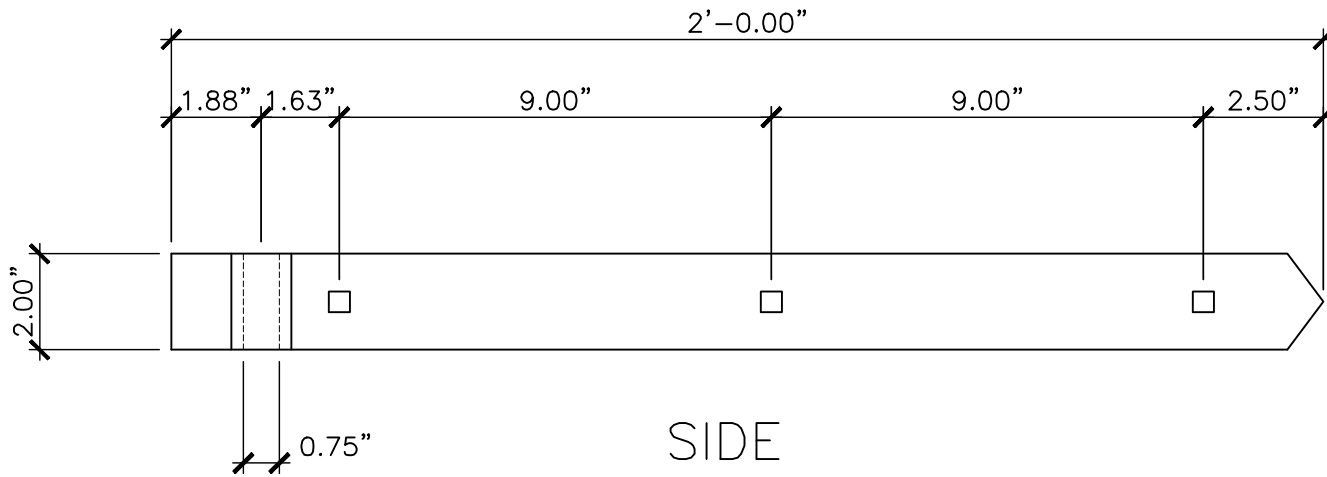
<p>PROPERTY OF: SNUG COTTAGE HARDWARE LLC MARYSVILLE MI. 48040</p>	<p>PRODUCT DESCRIPTION: 5" REAR EYE DOUBLE STRAP HINGE – 3" BETWEEN STRAPS ALL DIMENSIONS $\pm 0.125"$</p>	<p>PART NUMBER: 8324-052/05SP</p>
--	---	--



<p>PROPERTY OF: SNUG COTTAGE HARDWARE LLC MARYSVILLE MI. 48040</p>	<p>PRODUCT DESCRIPTION: 12" REAR EYE DOUBLE STRAP HINGE – 3" BETWEEN STRAPS ALL DIMENSIONS ±0.125"</p>	<p>PART NUMBER: 8324-122/12SP</p>
--	--	--



PROPERTY OF: SNUG COTTAGE HARDWARE LLC MARYSVILLE MI. 48040	PRODUCT DESCRIPTION: 18" REAR EYE DOUBLE STRAP HINGE – 3" BETWEEN STRAPS ALL DIMENSIONS ±0.125"	PART NUMBER: 8324-182/18SP
---	---	-------------------------------



PROPERTY OF: SNUG COTTAGE HARDWARE LLC MARYSVILLE MI. 48040	PRODUCT DESCRIPTION: 24" REAR EYE DOUBLE STRAP HINGE – 3" BETWEEN STRAPS ALL DIMENSIONS $\pm 0.125"$	PART NUMBER: 8324-242/24SP
---	--	-------------------------------