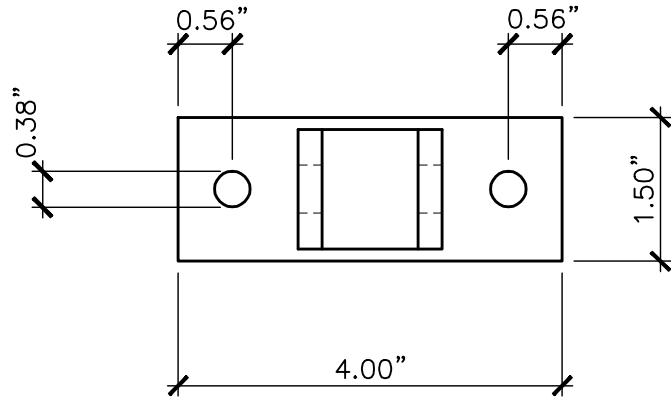
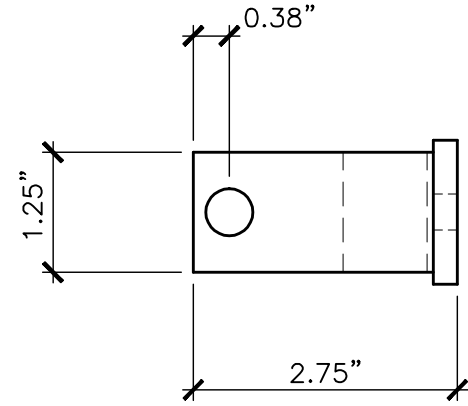


NOTE:
 TO USE AS A GATE LATCH
 PAIR WITH ITEM #5000-01SP

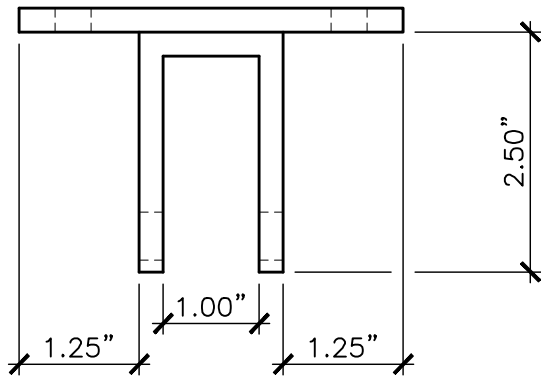
PROPERTY OF: SNUG COTTAGE HARDWARE LLC MARYSVILLE MI. 48040	PRODUCT DESCRIPTION: 36" CANE/DROP BOLT COMPLETE WITH KEEP ALL DIMENSIONS $\pm 0.125"$	PART NUMBER: 5000-362/36SP
---	--	-------------------------------



FRONT



END



TOP

<p>PROPERTY OF: SNUG COTTAGE HARDWARE LLC MARYSVILLE MI. 48040</p>	<p>PRODUCT DESCRIPTION: LOCKING RETAINER</p> <p>ALL DIMENSIONS $\pm 0.125"$</p>	<p>PART NUMBER: 5000-012/01SP</p>
--	---	--