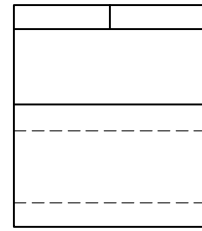
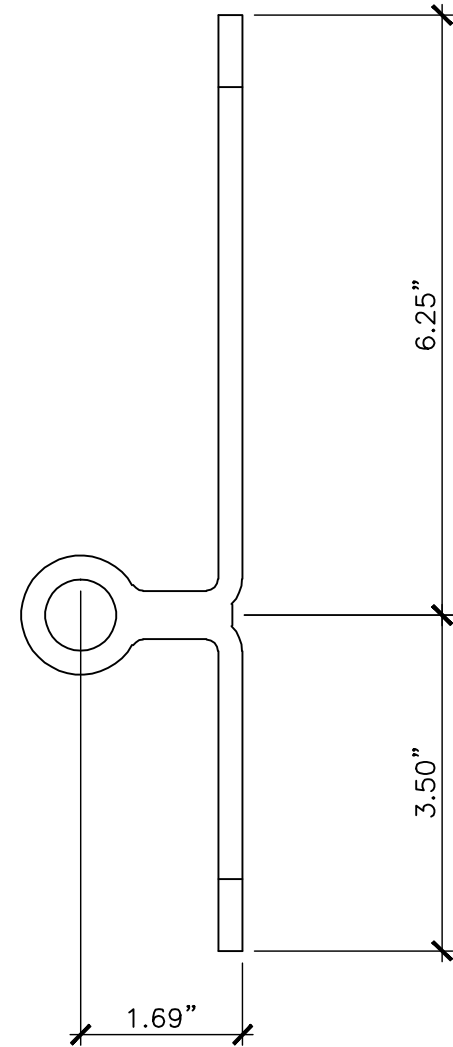


FRONT

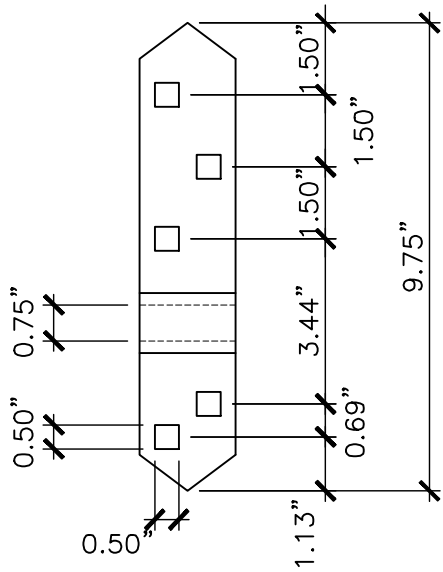


TOP



SIDE

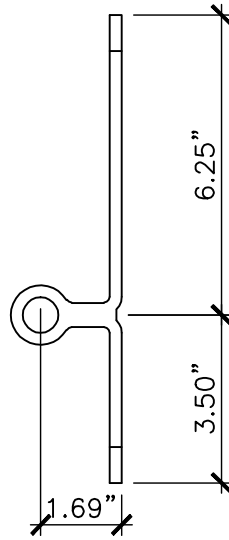
<p>PROPERTY OF:          SNUG COTTAGE          HARDWARE LLC          MARYSVILLE MI.          48040</p>	<p>PRODUCT DESCRIPTION:          3/4" MOUNTING PLATE, REAR EYE          ALL DIMENSIONS <math>\pm 0.125"</math></p>	<p>PART NUMBER:          8256-002/00P</p>
--	--	---



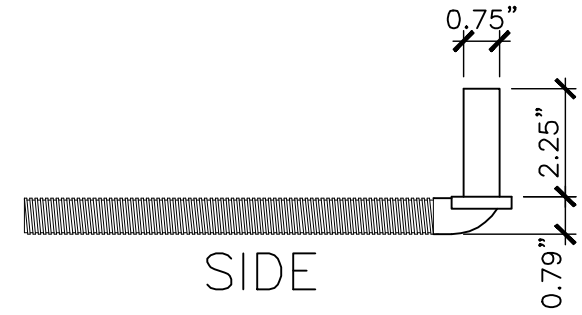
FRONT



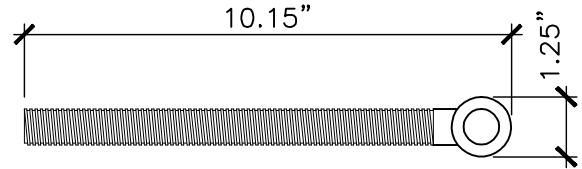
TOP



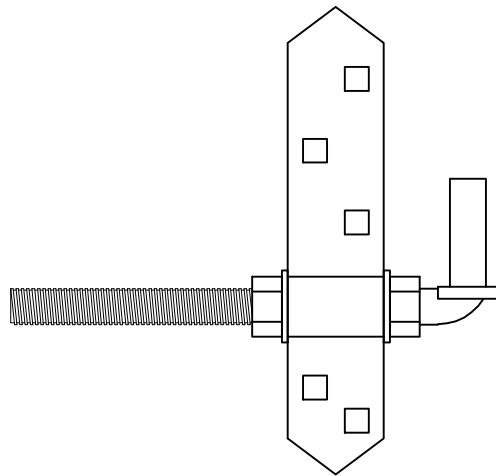
SIDE



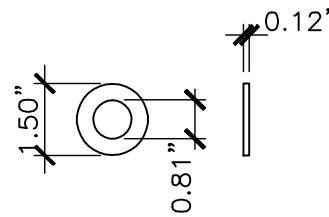
SIDE



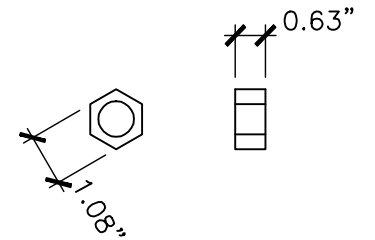
TOP



FRONT ASSEMBLED



WASHER X2



NUT X2

PROPERTY OF:  
 SNUG COTTAGE  
 HARDWARE LLC  
 MARYSVILLE MI.  
 48040

PRODUCT DESCRIPTION:  
 3/4" MOUNTING PLATE WITH 8" ADJUSTABLE PIN  
 ALL DIMENSIONS  $\pm 0.125"$

PART NUMBER:  
 8256-342/34P