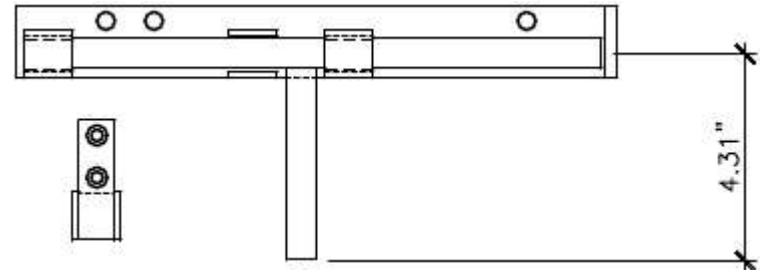
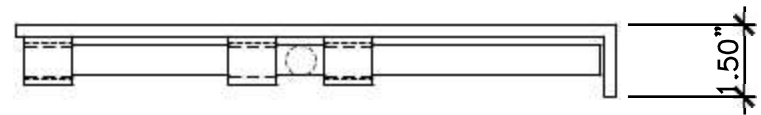


FRONT – SLIDE BOLT EXTENDED



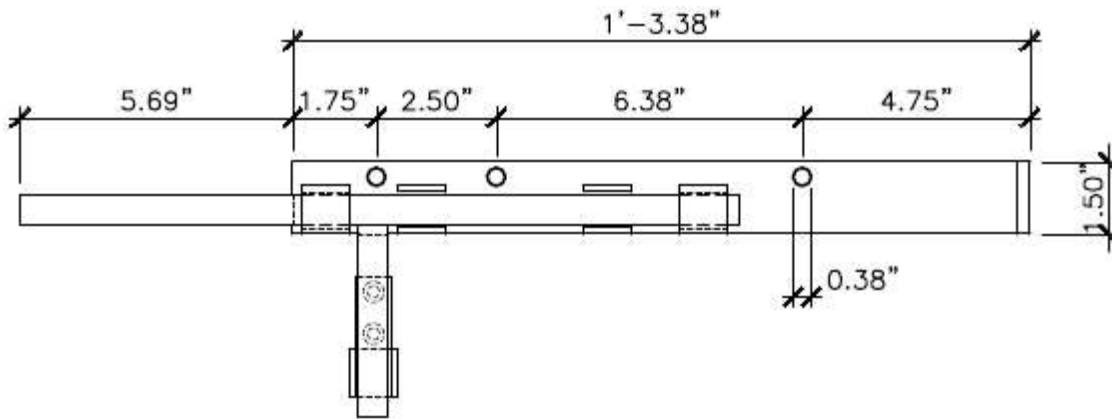
FRONT – SLIDE BOLT PULLED IN



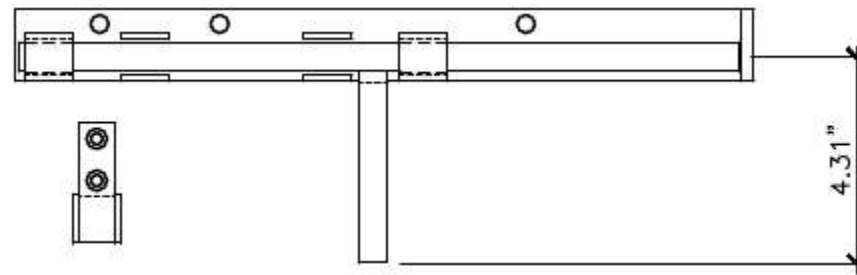
SIDE VIEW – SLIDE BOLT PULLED IN

NOTE:
 PAIR WITH ITEM #5000-002/00SP
 TO USE AS A GATE LATCH

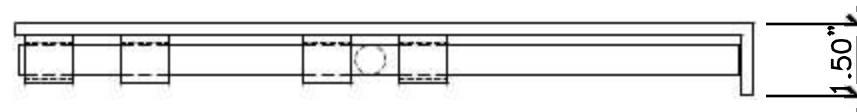
	PRODUCT DESCRIPTION: 12" SLIDE BOLT GATE LATCH / CANE BOLT WITH LATCH ALL DIMENSIONS ±0.125	PART NUMBER: 5000-122/12SP
--	---	-------------------------------



FRONT – SLIDE BOLT EXTENDED



FRONT – SLIDE BOLT PULLED IN

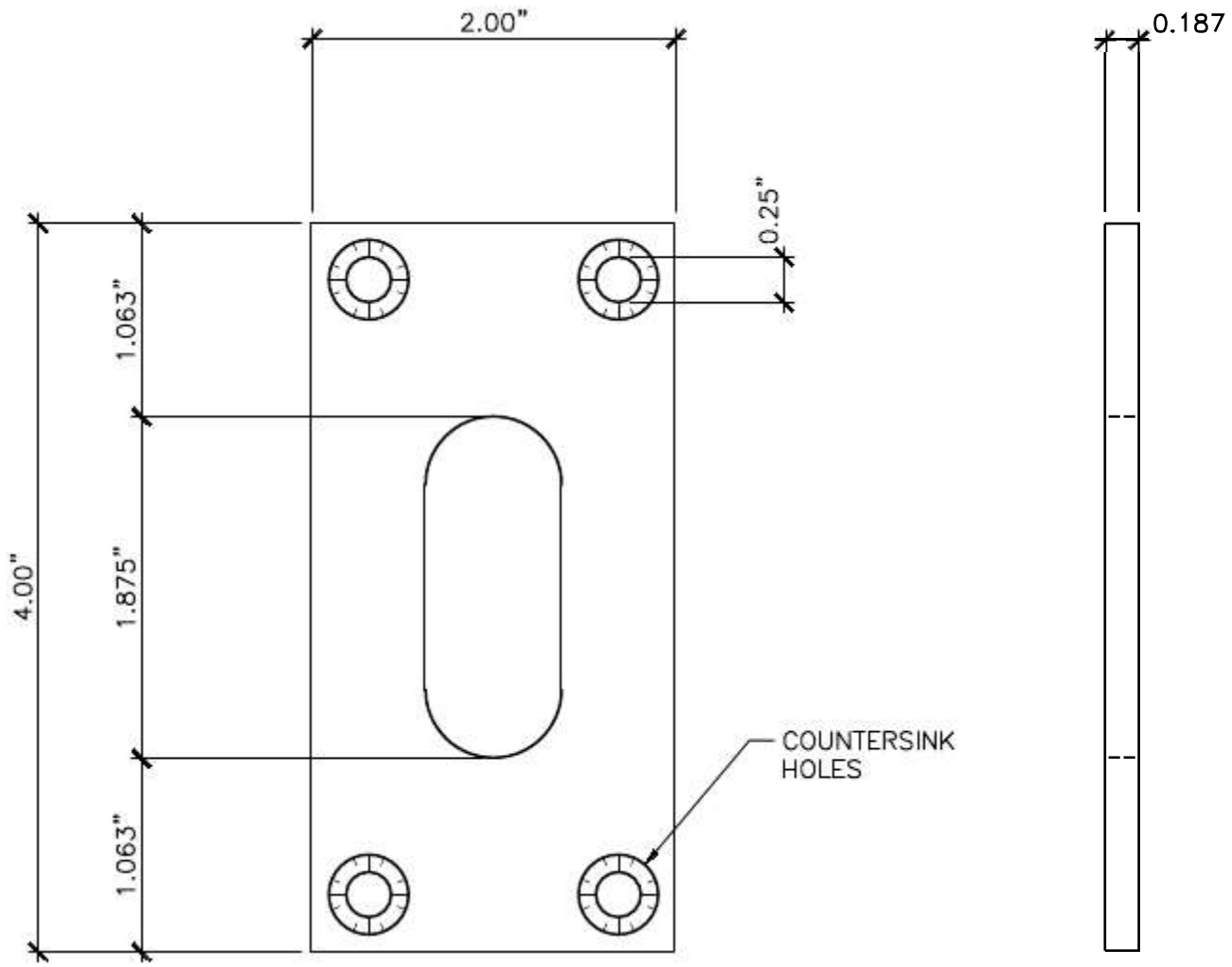


SIDE VIEW – SLIDE BOLT PULLED IN

NOTE:

PAIR WITH ITEM #5000-002/00SP
TO USE AS A GATE LATCH

	<p>PRODUCT DESCRIPTION: 15" SLIDE BOLT GATE LATCH / CANE BOLT WITH LATCH ALL DIMENSIONS ± 0.125</p>	<p>PART NUMBER: 5000-152/15SP</p>
--	--	---------------------------------------



FRONT PROFILE

SIDE PROF

	<p>PRODUCT DESCRIPTION: HEAVY ESCUTCHEON PLATE</p> <p>ALL DIMENSIONS ± 0.125</p>	<p>PART NUMBER: 5000-022/02SP</p>
--	---	---